

THREE-WAY BLOCK MANIFOLDS**(VALVES) type:****MEZ-10-00****MEZ-10-01****MEZ-10-02****MEZ-10-03**

	TECHNICAL PRODUCT DOCUMENTATION	MEZ-10 - DTR
		Page: 2 Pages: 10

LIST OF CONTENTS:



1. INSTRUCTIONS AND WARNINGS	3
2. APPLICATION	3
3. DESIGN	4
4. TECHNICAL DATA	4
5. ORDERING AND CONDITIONS OF DELIVERY	5
6. ORDERING METHOD	6
7. MANUFACTURER'S DECLARATION	7
8. ENCLOSURES	8

1. INSTRUCTIONS AND WARNINGS

In case of not fulfilling the recommendations and warnings one can have serious body injuries, and/or serious material damages. The attendance personnel must be properly trained and acquainted with all the safety recommendations and warnings.

Reliable and safe operation of the valve is dependent of providing the proper transportation, storing, assembling and start-up.

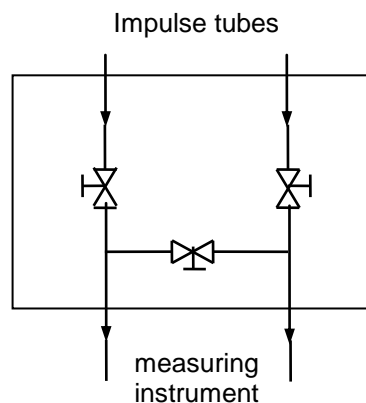
The present Technical Product Documentation contains important remarks in the scope of safety which were denoted with the below shown pictograms:

	<p style="text-align: center;">This sign means: Indicator</p> <p>This "Indicator" shows an operation or process being of essential importance for proper operation of the device. Material damages can occur in case of not observing this recommendation.</p>
	<p style="text-align: center;">This sign means: Warning</p> <p>This "Warning" shows an operation or process which in case of improper operation can cause danger to the attendance personnel or serious material damages.</p>

2. APPLICATION

The three-way block manifold (valve) are applied in the industrial automation Instrumentation&Controls systems.

Block diagram



	TECHNICAL PRODUCT DOCUMENTATION	MEZ-10 - DTR
		Page: 4 Pages: 10

3. DESIGN

The manifold (valve) is made of steel 15HM, 13HMF or 1H18N9T (321ss).

Manifold's (valve's) equipment – the manifolds (valves) are provided with setting key to enable quick manifold (valve) servicing.

The impulse ends of the valve are adapted for welding the tubes of 12 and 14 dia. or they are equipped with self-clamping (self-locking) rings of 12 and 14 dia.

In case using the manifold (valve) for transmitter type EPA, the additional pipes (tubes) for connect the manifold (valve) with transmitter are delivered.

4. TECHNICAL DATA

Permissible operating temperatures:

- for manifold (valve) MEZ - 10 - 00 up to 400° C
- for manifold (valve) MEZ - 10 - 01 up to 250° C
- for manifold (valve) MEZ - 10 - 02 up to 560° C
- for manifold (valve) MEZ - 10 - 03 up to 200° C

Manifold's (Valve's) type	Version	Material
MEZ-10-00	Normal	15 HM
MEZ-10-01	Acidproof	1H18N9T (321ss)
MEZ-10-02	Normal	13 HMF
MEZ-10-03	For oxygen	1H18N9T (321ss)

Passage diameter: 5 mm

Mass:

- forging 3,6 kg
- profile-drawn 3 kg

	TECHNICAL PRODUCT DOCUMENTATION	MEZ-10 - DTR
		Page: 5 Pages: 10

5. ORDERING AND CONDITIONS OF DELIVERY



The best way to get the manifolds (valves) is make the order directly at manufacturer use ordering method (point 6 at this documentation).

Example denotation: MEZ-10-00/1-1-1/A


The delivery consists of the following elements:

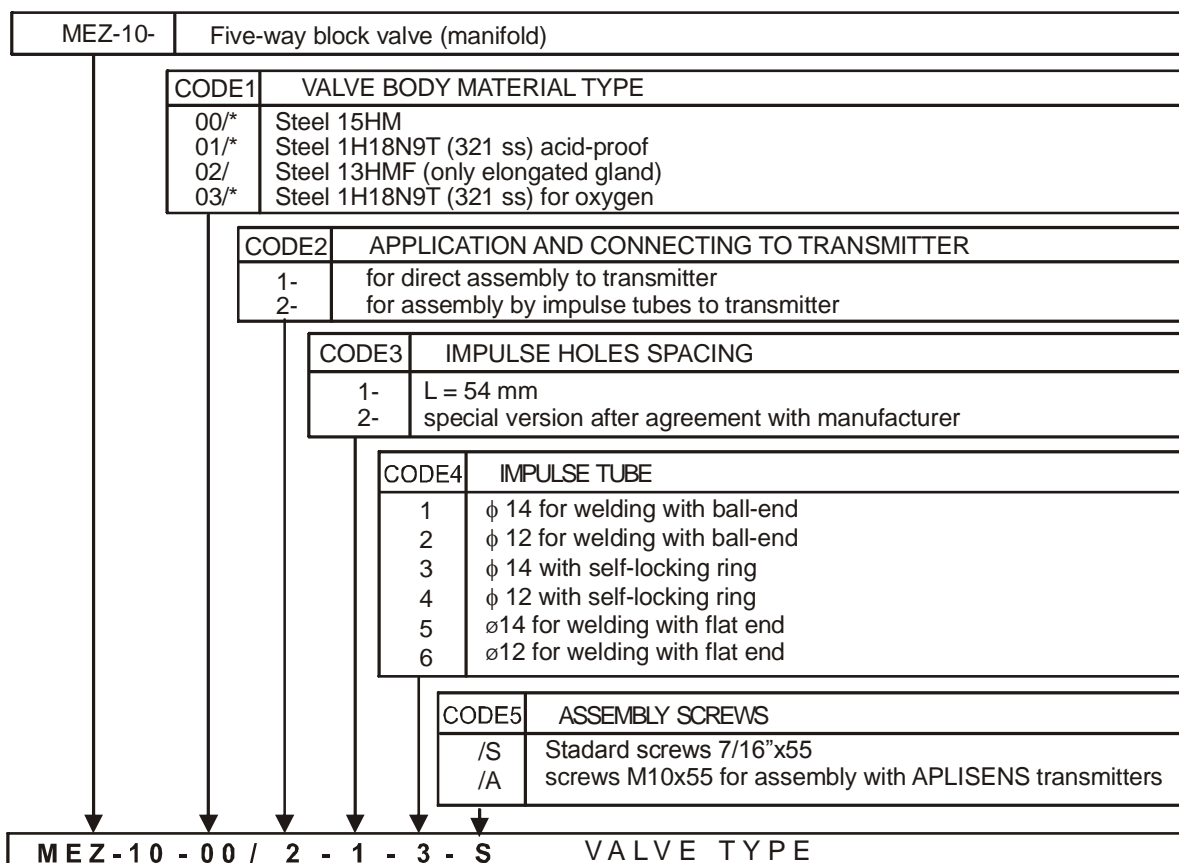
- | | |
|--------------------------------------------------------------------------------|--------|
| 1. Complete manifold (valve) MEZ-10- | 1 pc |
| 2. Key, complete, drawing no. ME2-0153 | 1 pc |
| 3. spindle-seal ϕ 15/ ϕ 9x6 | 6 pcs. |
| 4. manifold's (valve's) seal ϕ 25/ ϕ 17,8x3,5 drawing no. ME1 – 0148 | 2 pcs. |
| 5. screw 7/16" - 20 UNF x 60 drawing no. ME1 – 0369 | 4 pcs. |
| 6. tubes for connection the EPA transmitter with manifold (valve) | 1 set |
| 7. Technical Product Documentation | 1 pc |
| 8. Guarantee Card and Acceptance Certificate type 3.1 | 1 pc |

- position no. 3 is delivered on separate order
- position no. 4 acc. to version MEZ-11-XX/1-X-X/X
- position no. 6 acc. to version MEZ-11-XX/2-1-X/X and this is delivered on separate order

	<p style="text-align: center;">For transmitters type EPA-07 and -08 one should be ordered the set of tubs acc. to drawing no. ME2-0366-2, for other types of transmitter one should be ordered the set of tubs acc. to drawing no. ME2-0366-1.</p>
	<p style="text-align: center;">For transmitters type K EPA-07 and -08 one should be ordered the set of tubs acc. to drawing no. ME2-0366-4, for other types of transmitter one should be ordered the set of tubs acc. to drawing no. ME2-0366-3.</p>

The manifold (valve) is delivered in the cardboard packing (1 piece in one boxboard).

	<p>Nominal pressure P_{nom} for impulse 12 dia. tubes, sealed with self-locking rings, is 16 MPa.</p>
-------------------------------------------------------------------------------------	---------------------------------------------------------------------------------------------------------------------------

6. ORDERING METHOD

*** It is possible to make valves (manifolds) with:**

- elongated glands (it has to be denoted in the order)
- ends for connect the valve (manifold) with instalation from material different as all alve (manifold)
 - it has to be denoted in the order after agreement with manufacturer

	TECHNICAL PRODUCT DOCUMENTATION	MEZ-10 - DTR
		Page: 7 Pages: 10

7. MANUFACTURER'S DECLARATION



CONTROLMATICA ZAP-PNEFAL Sp. z o. o.
ul. Krotoszyńska 35
63-400 Ostrow Wielkopolski
www.controlmatica.com.pl



Ostrów Wielkopolski, 10 października 2008r.

OŚWIADCZENIE PRODUCENTA

Oświadczamy, że wyroby MEZ – 10 ÷ 25 spełniają wymagania dyrektywy „Urządzenia Ciśnieniowe” 97/23/WE według art. 3 ust. 3.

Są wykonane zgodnie z uznaną praktyką inżynierską i nie podlegają oznaczeniu CE.

Stosowane jako osprzęt ciśnieniowy zbiorników do gazów zaliczanych do płynów grupy 1 (klasyfikacja wg dyrektywy) mają ograniczenie ciśnienia do 20MPa.

KIERCOWIŃK
DZIAŁU TECHNICZNEGO
mgr inż. Krzysztof Idzior

PREZES ZARZĄDU
Sebastian Moch

Ostrów Wielkopolski, on 10th October 2008

PRODUCER'S DECLARATION

We declare that the products type MEZ-10...25, meet the requirements of the EU Directive „Pressure-type Equipment” no. 97/23/WE, according to Article 3, section 3.

These products are made with the acknowledged engineering practice and are not subject to the CE marking.

These products are used as the pressure accessories of tanks for gases included into the Group 1 liquids (classification acc. to the a. m. Directive) and have pressure limitation up to 20 MPa.

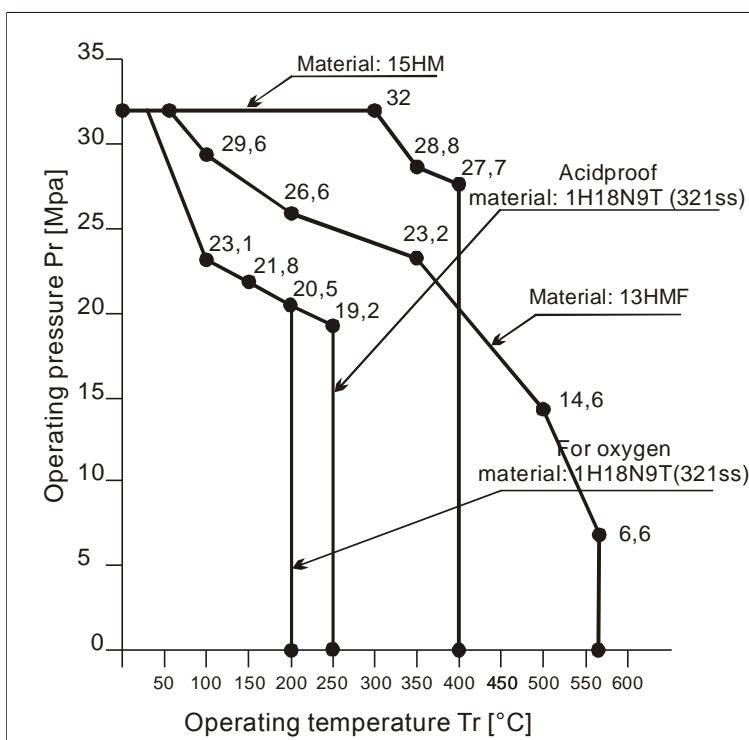
Signed by:
Technical Dept. Manager
(-) illegible signature
mgr inż. Krzysztof Idzior

Signed by:
President of the Board
(-) illegible signature
Sebastian Moch

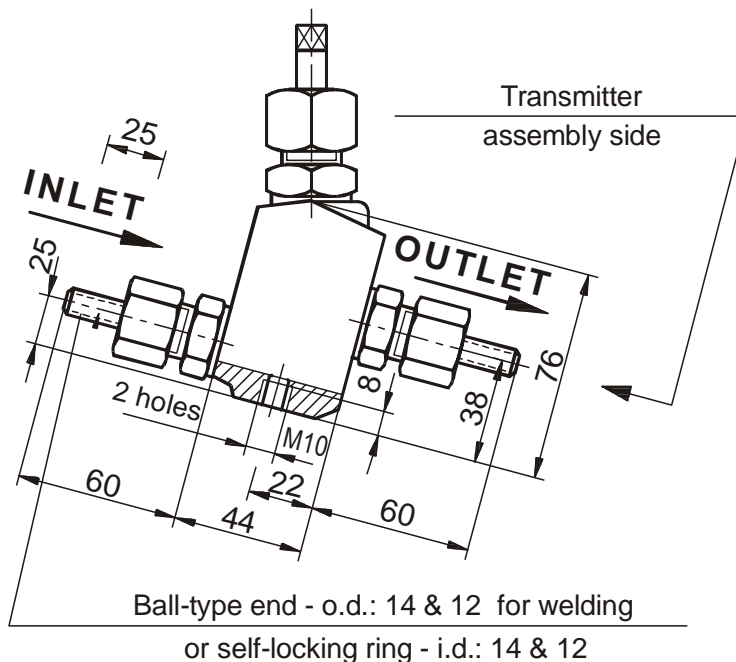
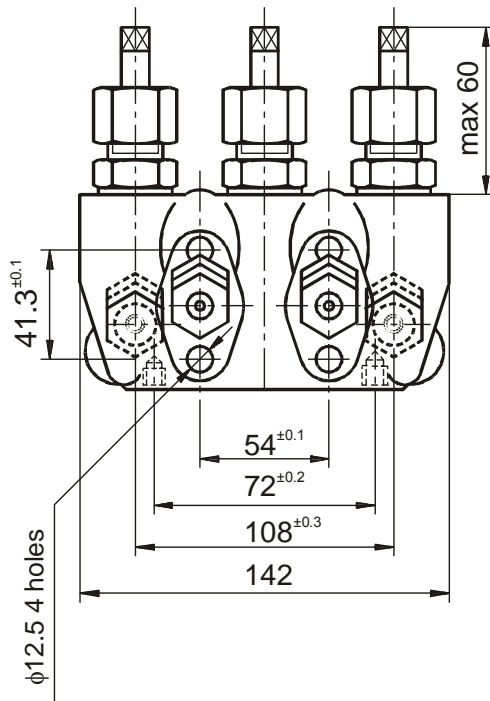
8. ENCLOSURES

ENCLOSURE NO. 1

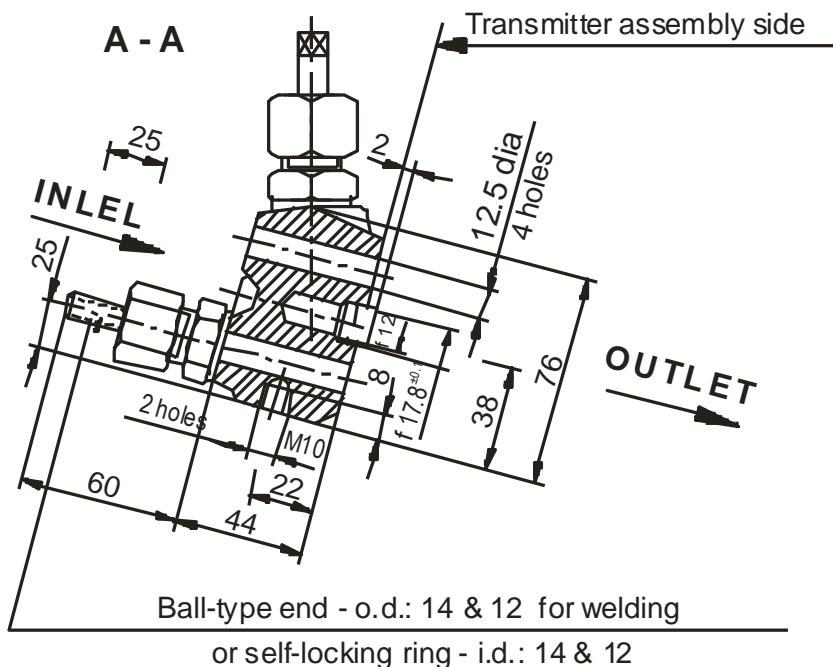
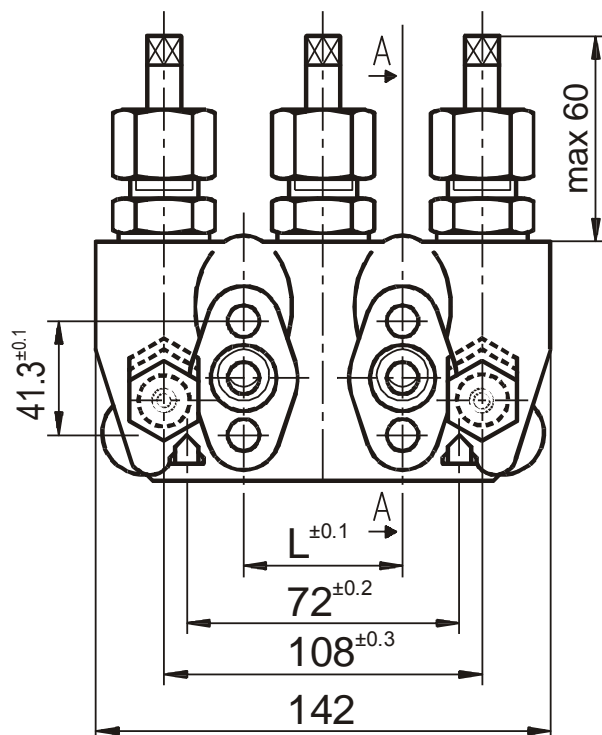
Range of operating pressures versus operating temperature for valves type: MEZ-10-



ENCLOSURE NO. 2



Three-way block manifold (valve) type MEZ-10-XX/2-1-X
The body made from forging



Three-way block manifold (valve) type MEZ-10-XX/1-X-X
The body made from forging

CONTROLMATICA ZAP-PNEFAL Sp. z o.o.
ul. Krotoszynska 35; PL-63-400 Ostrow Wlkp., Poland
tel.: +48627372250, fax: +48627372724, controlmatica@controlmatica.com.pl
www.controlmatica.com.pl