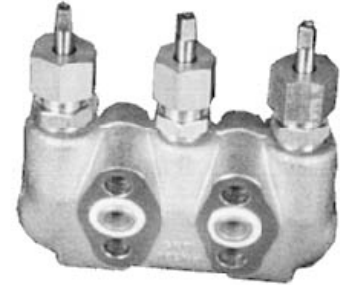


## THREE-WAY BLOCK VALVES (MANIFOLDS) type MEZ-10

THE MEZ-type VALVES (MANIFOLDS) ARE DESIGNED FOR ASSEMBLING IN MEASUREMENT & CONTROL SYSTEMS. THEY ARE USED FOR SWITCHING ON THE FLOW, DIFFERENTIAL PRESSURE AND PRESSURE TRANSMITTERS FOR OPERATION, OR SWITCHING THEM OFF. THEY ENABLE ZERO AND RANGE CHECKING ON TRANSMITTERS AND BLOWING DOWN OF IMPULSE TUBES. THE VALVES ARE PROVIDED BY THE MANUFACTURER WITH SETTING KEY.

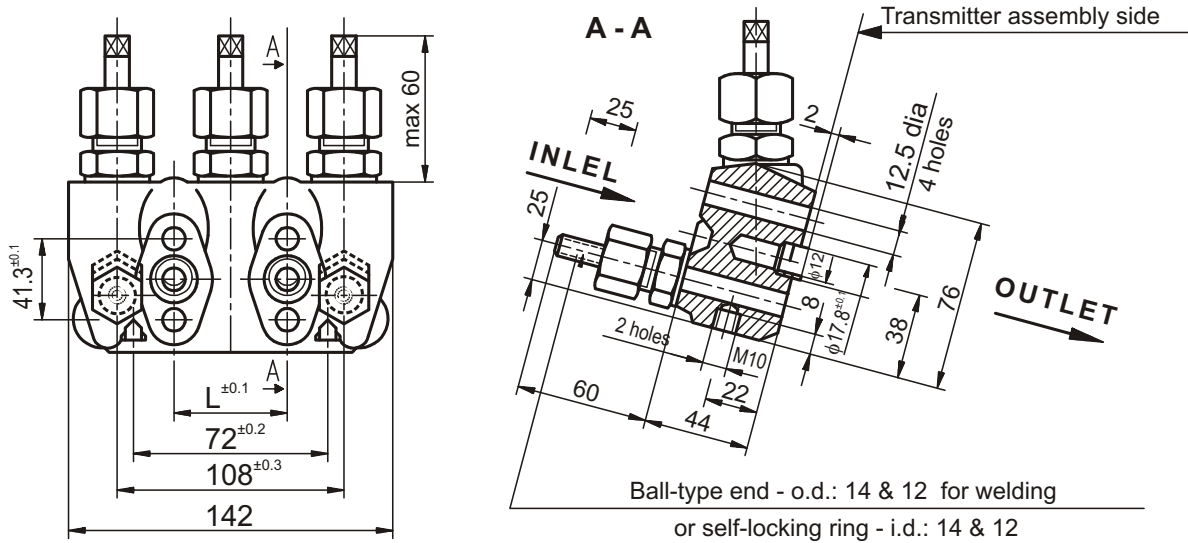


- high reliability
- different material versions for water, steam, acids and oxygen
- body material: 15HM, 1H18N9T (321ss) or 13HMF
- nominal pressure up to 32 MPa

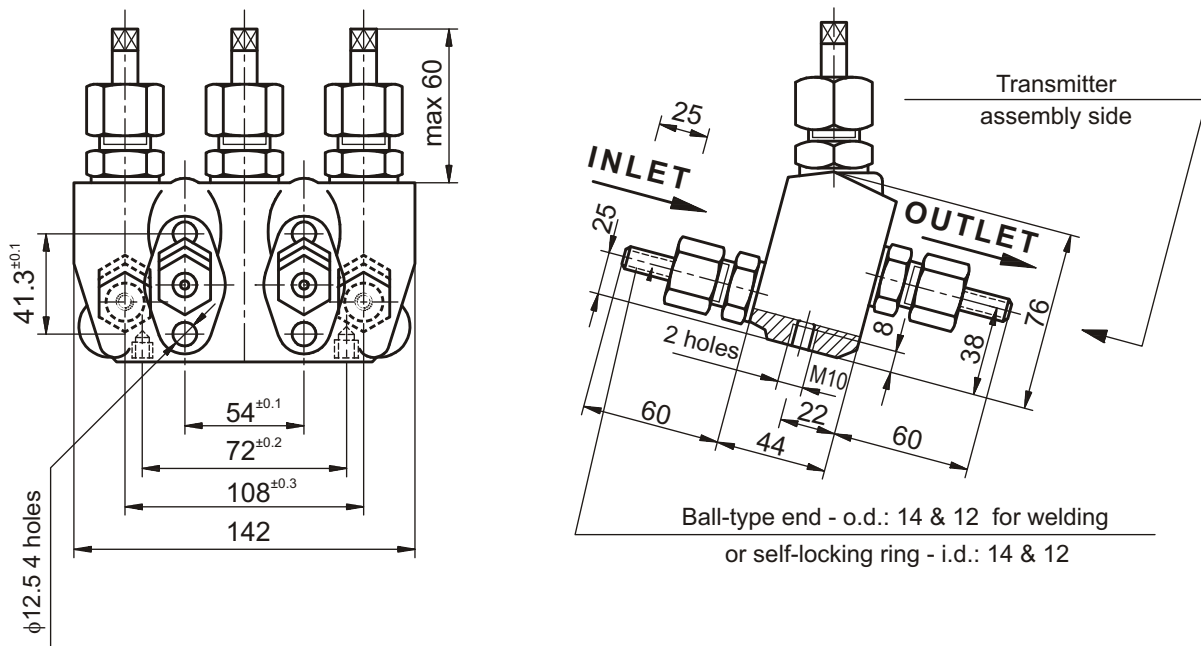
### TECHNICAL DATA

Valve type	MEZ-10-00	MEZ-10-01	MEZ-10-02	MEZ-10-03
Nominal diameter [mm]:	DN 5	DN 5	DN 5	DN 5
Nominal pressure:	32 MPa	32 MPa	32 MPa	32 MPa
Test pressure:	45 MPa	45 MPa	45 MPa	45 MPa
Highest operating temperature:	400°C	250°C	560°C	200°C
Numerical values of permissible operating pressures, in function of nominal pressure and operating temperature, acc. to PN-89/H-02650:				
Valve material:	steel 15HM	steel 1H18N9T (321 ss)	steel 13HMF	steel 1H18N9T (321 ss)
Valve sealing material:	graphite	graphite	graphite	tarflen
Valve version:	standard	acid-proof	standard	for oxygen
Mass:	3.6 kg	3.6 kg	3.6 kg	3.6 kg

**MEZ-10-XX/1-X-X-X DIMENSIONED DRAWING**  
valve body made of forging

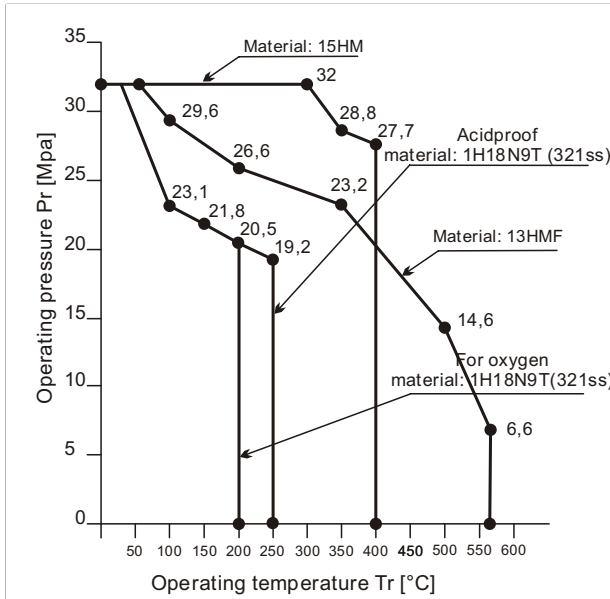


**MEZ-10-XX/2-1-X-X DIMENSIONED DRAWING**  
valve body made of forging

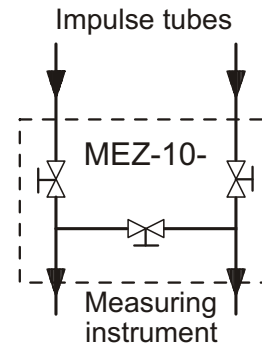


**GRAPH**

Range of operating pressures versus operating temperature for valves type: MEZ-10-



**BLOCK DIAGRAM**



**ORDERING OF VALVES (MANIFOLDS) type MEZ-10**

MEZ-10-	Five-way block valve (manifold)
CODE1	VALVE BODY MATERIAL TYPE
00/*	Steel 15HM
01/*	Steel 1H18N9T (321 ss) acid-proof
02/	Steel 13HMF (only elongated gland)
03/*	Steel 1H18N9T (321 ss) for oxygen
CODE2	APPLICATION AND CONNECTING TO TRANSMITTER
1-	for direct assembly to transmitter
2-	for assembly by impulse tubes to transmitter
CODE3	IMPULSE HOLES SPACING
1-	L = 54 mm
2-	special version after agreement with manufacturer
CODE4	IMPULSE TUBE
1	φ 14 for welding with ball-end
2	φ 12 for welding with ball-end
3	φ 14 with self-locking ring
4	φ 12 with self-locking ring
5	ø14 for welding with flat end
6	ø12 for welding with flat end
CODE5	ASSEMBLY SCREWS
/S	Standard screws 7/16"x 60
/A	screws M10x55 for assembly with APLISENS transmitters
<b>MEZ - 10 - 00 / 2 - 1 - 3 - S VALVE TYPE</b>	

- \* It is possible to make valves (manifolds) with:
- elongated glands (it has to be denoted in the order)
  - ends for connect the valve (manifold) with instalation from material different as all alve (manifold)
  - it has to be denoted in the order after agreement with manufacturer

The right of introducing design changes in the product, without deteriorating of its operation parameters, is reserved.